

Plastic square photoelectric sensor PSE series



Features

- Universal housing, an ideal replacement for a variety of sensors.
- Conform to IP67 and is suitable for harsh environments.
- Distance can be set by knob, setting accurate and fast.
- Background suppression, whether white or black objects can be stably detected.
- Laser light source, small visible spot, easy to install and debug.



Part number

NPN NO+NC	PSE-YC35DNRL-E3	PNP NO+NC	PSE-YC35DPRL-E3
-----------	-----------------	-----------	-----------------

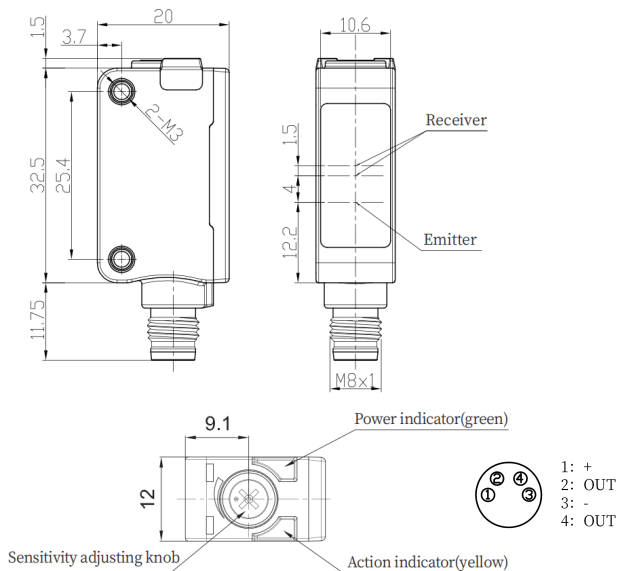
Technical specifications

Detection method	Background suppression	Circuit protection	Short circuit protection, overload protection, reverse polarity protection, zener protection
Detection distance	35cm	Indicator	Green light:power, stable signal Yellow light:output, overload or short circuit(flicker)
Output type	NPN NO+NC Or PNP NO+NC	Anti ambient light	Anti-sunlight interference $\leq 10,000$ lux; Incandescent light interference $\leq 3,000$ lux
Distance adjustment	Multi-turn knobadjustment	Operating temperature	-10°C...50°C(nofrostorcondensationonopticalsurfaces)
Light spot size	$\leq 2\text{mm}@35\text{cm}$	Storage temperature	-40°C...70°C(nofrostorcondensationonopticalsurfaces)
NO/NC adjustment	Black line NO, white line NC	Protection degree	IP67
Supply voltage	10...30VDC, ripple $\leq 10\%$ VP-P	Certification	CE
Consumption current	$\leq 20\text{mA}$	Production standard	EN60947-5-2:2012、IEC60947-5-2:2012
Load current	$\leq 100\text{mA}$	Material	Housing:PC+ABS; Optical elements:Plastic PMMA
Voltage drop	$\leq 1.5\text{V}$	Weight	10g
Light source	Red laser(650nm) Class1	Connection	M8 4-pin connector
Response time	T-on: $\leq 1\text{ms}$;T-off: $\leq 1\text{ms}$		
Hysteresis range	$< 5\%$		
Dead zone	$< 10\text{mm}^*$		

*Dead zone of 90% reflectivity white card $< 2\text{mm}$, dead zone of 6% reflectivity black card $< 5\text{mm}$.

When using the product, if there is side-by-side installation, please keep the interval between two adjacent sensors $> 5\text{cm}$; at the same time, avoid opposite installation, please use staggered.

Dimensions



Wiring diagram

